

Diode Laser Hair Removal Machine

— US450

360° Refrigeration Decrease 11° within 8 minutes

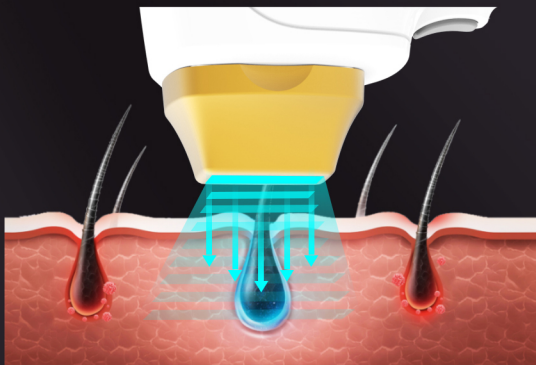


Diode Laser Hair Removal

—US450

HOW IT WORKS

The energy of light directly acts on the hair follicle tissue of the dermis, and removes the melanin of the hair follicle tissue without damaging the normal skin and sweat glands, thereby achieving permanent hair removal. No pain, comfortable, the most safest technology now in the world.



FUNCTION

- ▶ Permanent & Painfree Hair removal on all body of skin type I-VI.
- ▶ Lip hair removal beard hair removal chest hair removal armpit hair removal back hair removal & hair removal on outside bikini line etc.
- ▶ Any hair color removal.
- ▶ Any skin color hair removal.

Diode Laser Hair Removal
—US450

Why choose **2000W** diode laser?

1600W diode laser from Globalipl stands for the highest technology in the hair removal industry, which can help you achieve super fast, permanent and 100% painless hair removal.

755NM、808NM、1064NM FOR OPTION

Different wavelengths correspond to different skin types

♥ **755NM**

♠ **808NM**

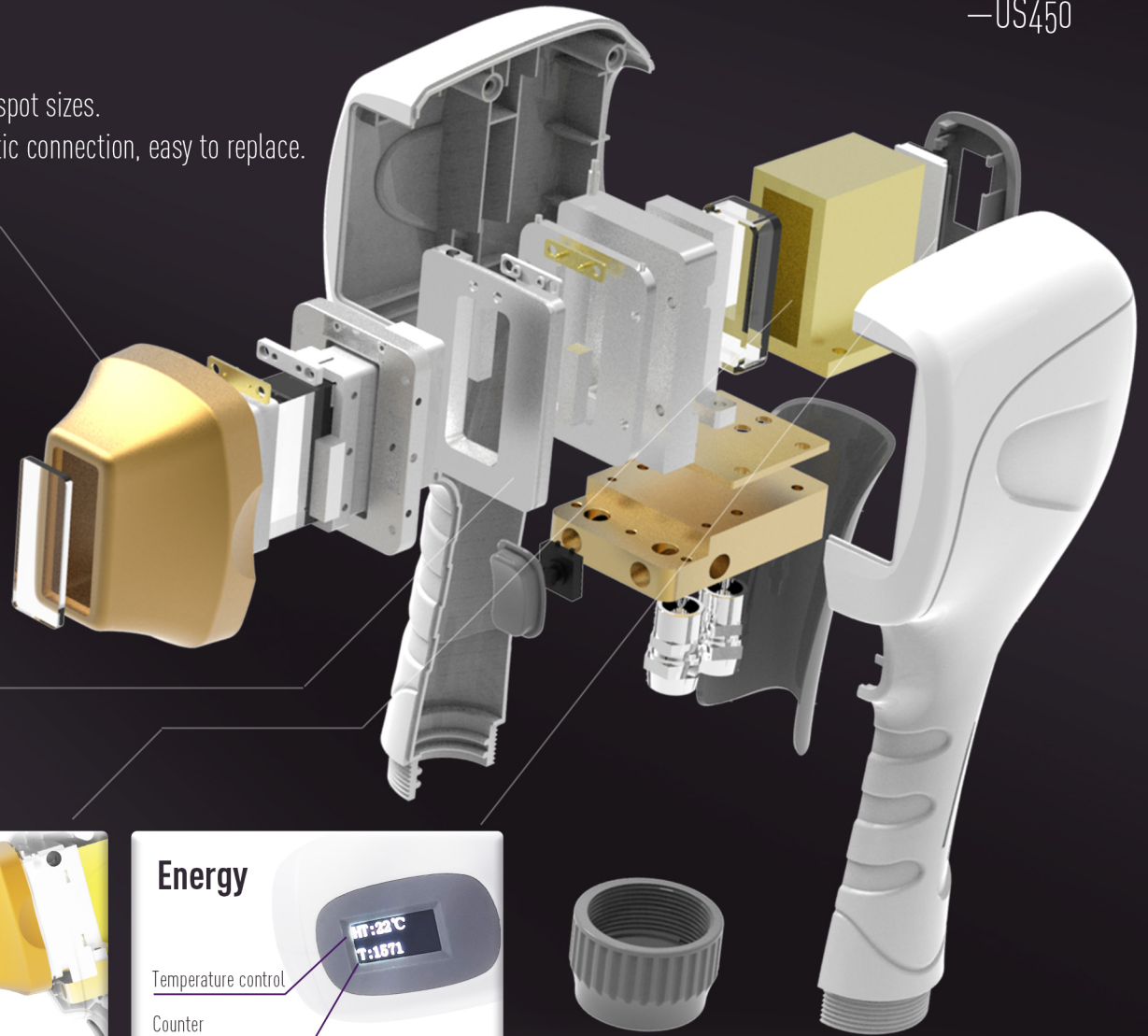
♣ **1064NM**



New upgrade handle

One machine automatically recognizes and matches six different spot sizes.
Six treatment tips for optional, suitable for different area. Magnetic connection, easy to replace.

● 5.6mm Nose hair	■ 12*12 mm Lip hair
■ 12*16 mm Armpit & Bikinis hair	■ 12*20 mm Arms hair
■ 12*28 mm Legs hair	■ 12*36 mm Back & Chest hair



Refrigeration

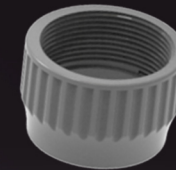
360° cooling plate
Cooling effect increased **5 times**

Screen

Energy increased by **26.6%**

Energy

Temperature control
Counter



FAC Technology Diode Laser

Our new diode laser stack adopts the most advanced Fast Axis Comopression(FAC) technology
It makes sure the energy output bigger than the traditional laser stack.

Light guide performance increased by **25%**

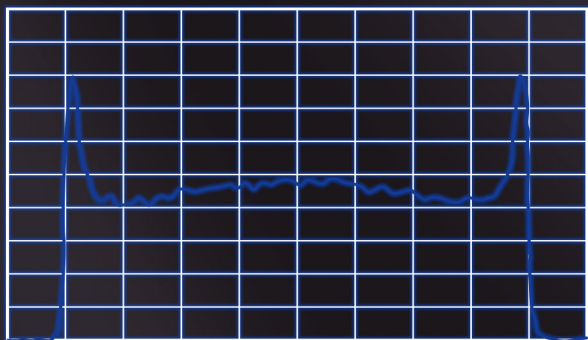
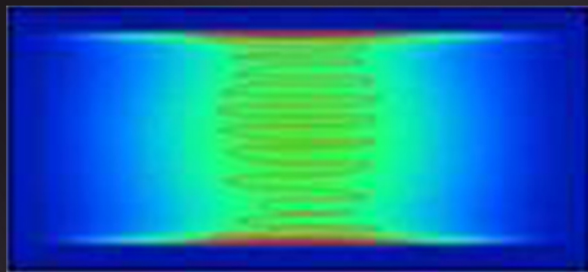
Light uniformity increased by **20%**

Stack energy output picture



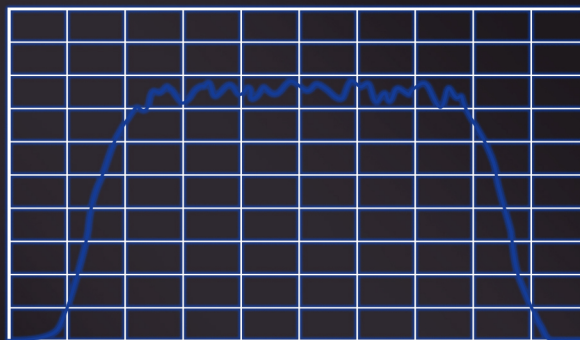
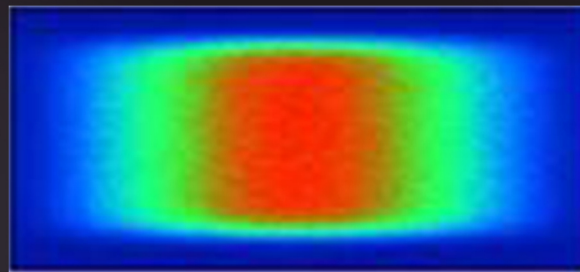
Traditional

Gaussian Laser Spot Traditional Laser Stack



FAC

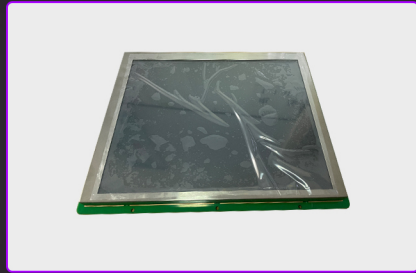
Flat-Hat Laser Spot Upgrade FAC Tech



FAC Technology Diode Laser

Diode Laser Hair Removal

—US450



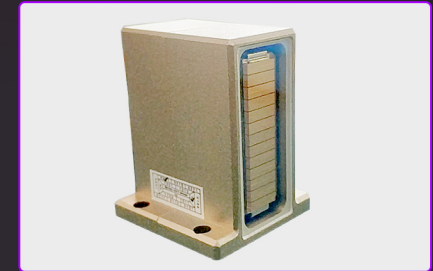
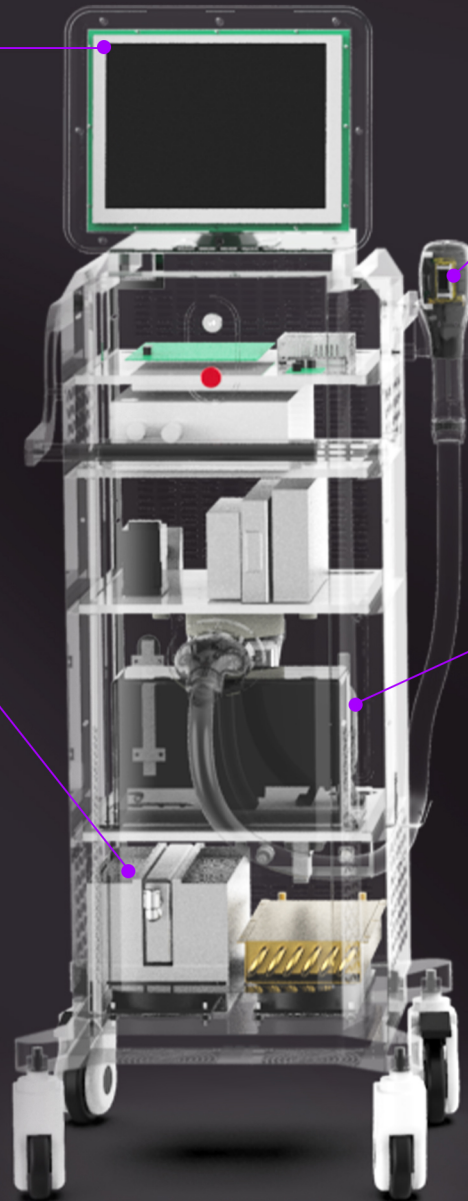
12 INCH LARGE SCREEN

- HD Smart Touch Screen
- Better touch and visual



1200W TEC CONDENSER

- The water temperature could decrease 11°C within 8 minutes;
- Could work continuously for 24 hours/day without stop.



2000W LASER

- Palladium bars pure imported from USA coherent;
- AuSn hard solder assembly technology, higher reliability;
- Never burn out.



GERMANY IMPORTED ULTRA-QUIET WATER PUMP

- No noise, provide a quiet and comfortable environment for patients.
- larger water flow for better cooling, prolong laser and machine life.

Operation interface

1. Friendly UI, intelligence menu navigation. Operators with zero experience can achieved expert level.
2. Safely and effectively recommend clinical parameters for you.

Intelligent mode



Providing a set of recommend parameters
Men and women can be switched in this interface
Skin type can be choose
When the handle is not inserted, click the water button 10 times continuously to test the light

Expert mode



Click the lower left corner of the interface to initialize the parameters
9 groups of customer treatment parameters can be saved
Can set continuous light emission or single light emission mode
Automatic recognition of the size of the handle treatment head



Take off cleanly without leaving black spots

Diode Laser Hair Removal
—US450



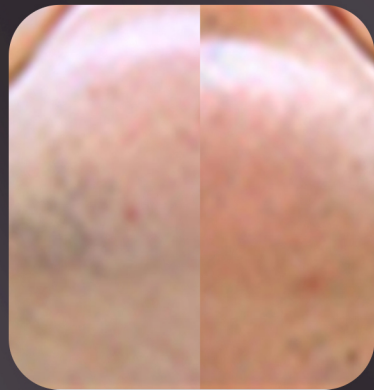
• Arm



• Leg



• Chest hair



• Jaw



• Eyebrow



• Nose hair



Diode Laser Hair Removal

—US450

Parameter

Wave length	808nm, 808+755+1064nm
Display	12inch color touch screen
Laser Power	2000W
Energy	260J
Pulse width	Auto, 30ms, 100ms, 200ms
Frequency	1-10HZ
Spot size	12*12mm ² /12*16mm ² /12*20mm ² /12*28mm ² /12*36mm ² , ;5.6mm ²
Machine Power	4000W
Cooling system	1200W TEC condenser Air+Water circulation Treatment head with Japan customized 360° cooling plates Cooling temperature adjustable
Machine Dimension	46*50*130cm
Gross weight	50kg
Valtage	220V/110V



Packing list for the machine



Glasses keys fuse



Safety goggles



6 Tips



Water filter



Foot switch



Power line



Water conductance test meter



Seal ring



Start-up key



Water tube and water funnel



Fuses



Power line

**TO SERVE PEOPLE WHO LOVE
BEAUTY AROUND THE WORLD!**

